



KP891

Berretto con patch e fodera Thinsulate™ riciclato

- Patch in cotone ideale per la personalizzazione.
- Fodera in pile Thinsulate™ che garantisce leggerezza e comfort termico.
- Berretto sostenibile: realizzato in fibre riciclate.

40% poliestere riciclato / 20% poliestere / 40% Acrilico. Berretto a maglia con risvolto. Fodera termica super-confort in Thinsulate™. Patch frontale in cotone per una facile personalizzazione. Etichetta con il nome della marchio staccabile.



Certificazioni



Contains 40% RCS certified Recycled Polyester.
EGL N°165651 / KARIBAN GROUP

Informazioni complementari

Logistica



Paese d'origine



CN - Cina

Codice doganale



65050090

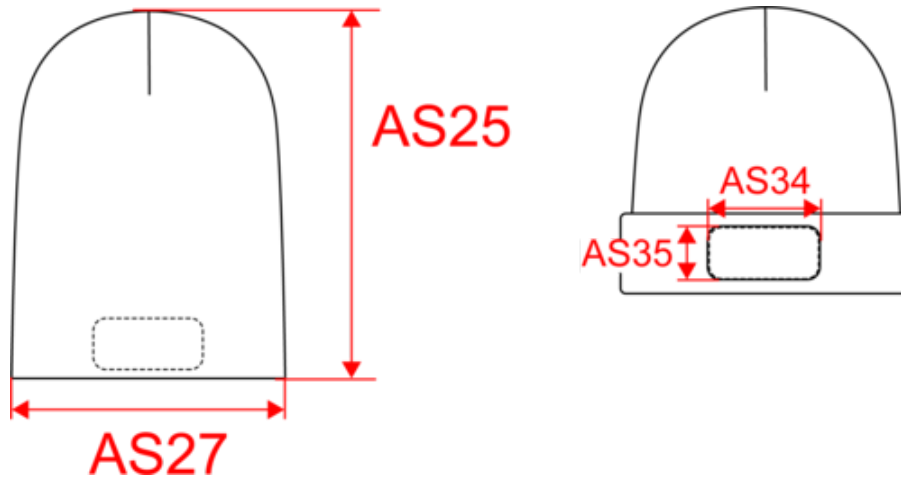




KP891

Berretto con patch e fodera Thinsulate™ riciclato

Dimensioni



Measurements in cm	One Size
AS25 - Total height at the highest level	30.50
AS27 - 1/2 bottom width	22.00
AS34 - Patch length	10.00
AS35 - Patch height	5.00



KP891

Berretto con patch e fodera Thinsulate™ riciclato

Informazioni colori



Black

RVB : 35,35,37
Pantone C : Black
Pantone TCX : 19-4004TCX



Dark Grey

RVB : 63,60,60
Pantone C : 447C
Pantone TCX : 19-0000TCX



Dark Khaki

RVB : 75,71,61
Pantone C : 418C
Pantone TCX : 19-0414TCX



Forest Green

RVB : 32,62,51
Pantone C : 567C
Pantone TCX : 19-5920TCX



Grey Heather

RVB :
Pantone C : Based on 417C
Pantone TCX : Based on 18-5203TCX



Navy

RVB : 41,46,56
Pantone C : 433C
Pantone TCX : 19-4012TCX



Oxford grey

RVB : 155,155,162
Pantone C : Based on Cool gray 7C
Pantone TCX : Based on 16-3850TCX



Red

RVB : 195,32,54
Pantone C : 200C
Pantone TCX : 19-1664TCX



Royal Blue

RVB : 33,59,127
Pantone C : 7687C
Pantone TCX : 19-3952TCX



White

RVB : 236,236,252
Pantone C : White
Pantone TCX : 11-0601TCX

Logistic:



25



100

Sizes	Width (cm)	Height (cm)	Length (cm)	Net weight (kg)	Gross weight (kg)	Pieces/Box	Pieces/Bundle
One Size	42.00	25.00	60.00	6.4	7.3	100	0